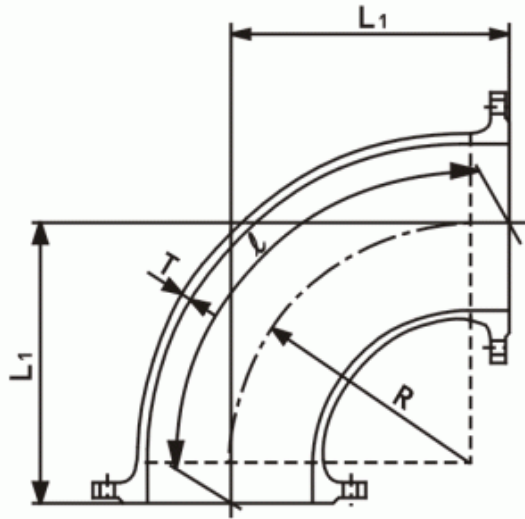
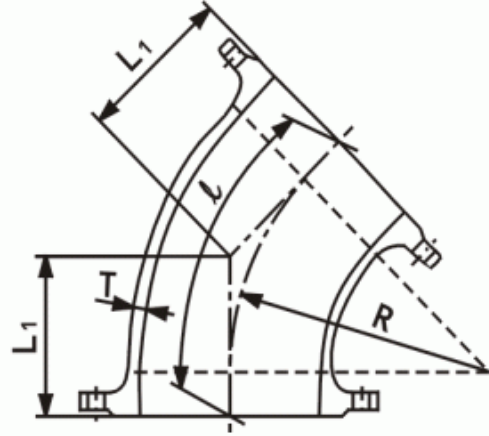




Double Flanged Bend



90°



45°

Unit: mm

Nom. size	Thickness		90°										45°										
			Dimensions			Length			Weight (kg)				Dimensions			Length			Weight (kg)				
			D	T	R	L <sub>1</sub>			I			7.5 K	10 K	16 K	20 K	R	L <sub>1</sub>			I			7.5 K
7.5K	10K 16K	20K				7.5K	10K 16K	20K	7.5K	10K 16K	20K						7.5K	10K 16K	20K				
75	8.5	250	297	295	295	487	483	483	15.4	12.4	13.9	14.5	400	213	210	210	409	403	403	14.1	11.1	12.6	13.2
100	8.5	250	297	295	295	487	483	483	19.3	15.7	18.2	18.9	400	213	210	210	409	403	403	17.6	14.0	16.5	17.2
150	9.0	300	348	350	350	567	571	571	30.8	29.6	33.8	36.2	500	255	260	260	488	498	498	28.2	27.0	31.2	33.6
200	11.0	400	449	455	455	726	738	738	53.6	51.0	57.3	59.9	600	298	305	305	570	584	584	45.6	43.0	49.3	51.9
250	12.0	400	450	460	460	728	748	748	74.0	72.4	84.0	90.2	600	298	310	310	570	594	594	62.9	61.3	72.9	79.1
300	12.5	550	607	615	615	978	994	994	114.0	108.4	125.0	131.8	700	347	355	355	664	680	680	86.2	80.6	97.2	104.0
350	13.0	550	608	620	620	980	1004	1004	141.0	130.2	155.4	163.4	800	389	405	405	744	776	776	116.0	105.2	130.4	138.4
400	14.0	600	659	675	675	1060	1092	1092	181.0	176.2	209.4	223.0	900	432	450	450	825	861	861	150.0	145.2	178.4	192.0
450	14.5	600	660	680	680	1062	1102	1102	217.0	209.8	255.0	271.4	1000	474	495	495	905	947	947	193.0	185.8	231.0	247.4
500	15.0	700	761	785	785	1222	1270	1270	275.0	267.6	323.6	341.8	1100	517	545	545	987	1043	1043	235.0	227.6	283.6	301.8
600	16.0	800	862	895	895	1381	1447	1447	383.0	383.2	455.2	558.4	1300	601	635	635	1146	1214	1214	331.0	331.2	403.2	425.4
700	17.0	900	963	1005	1020	1540	1624	1654	521.0	525.4	617.6	707.2	1500	730	730	745	1395	1395	1425	481.0	485.4	577.6	667.2
800	18.0	1000	1115	1115	1135	1801	1801	1841	728.0	731.2	859.8	1021.8	1700	820	820	840	1567	1567	1607	650.0	653.2	781.8	943.8
900	19.0	1100	1225	1225	1250	1978	1978	2028	947.0	937.0	1088.4	1288.4	1900	915	915	940	1748	1748	1798	857.0	847.0	998.4	1198.4
1000	20.0	1150	1285	1285	-	2076	2076	-	1150.0	1148.0	1362.0	-	2100	1005	1005	-	1920	1920	-	1080.0	1078.0	1292.0	-
1100	21.0	1200	1345	1345	-	2175	2175	-	1390.0	1394.0	1624.0	-	2300	1100	1100	-	2101	2101	-	1350.0	1354.0	1584.0	-
1200	22.0	1200	1355	1355	-	2195	2195	-	1610.0	1634.0	1904.0	-	2300	1110	1110	-	2121	2121	-	1560.0	1584.0	1854.0	-
1350	24.0	1200	1370	1370	-	2225	2225	-	2010.0	2036.0	2386.0	-	2300	1125	1125	-	2151	2151	-	1960.0	1986.0	2336.0	-
1500	26.0	1200	1385	1385	-	2255	2255	-	2440.0	2486.0	2910.0	-	2300	1140	1140	-	2181	2181	-	2380.0	2426.0	2850.0	-

SHIN NAN CASTING FACTORY CO., LTD.

SHIN NAN CASTING FACTORY CO., LTD.